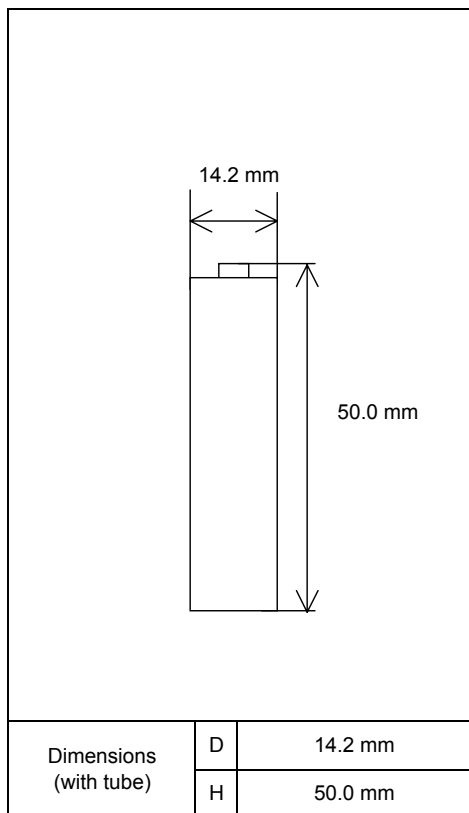


Specifications

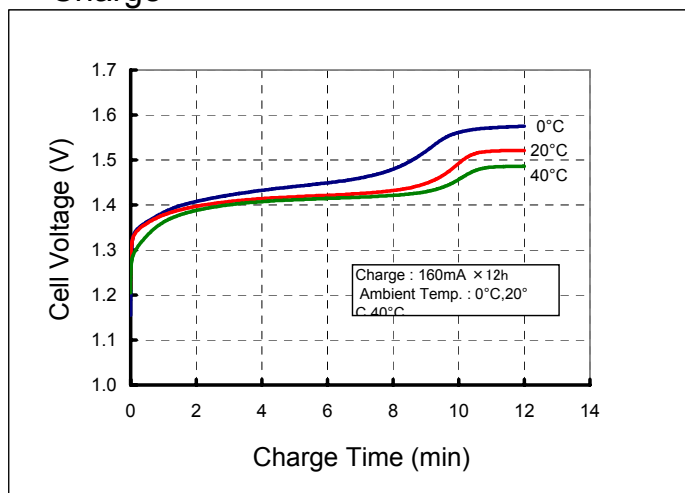


Type : Nickel-Metal Hydride Battery		Size : AA Consumer Type
Capacity ¹⁾	Typical	1700mAh
	Minimum	1550mAh
Nominal Voltage		1.2V
Charging Current x Time	STD. Charge ²⁾	160 mA x about 12h
Ambient Temp.	Charge Condition	STD. Charge ²⁾
	Discharge Condition	0°C - 50°C
	Storage Condition	Less than 30days
Less than 90days		-20°C - 40°C
Less than 1year		-20°C - 30°C
Weight ⁴⁾		Approx. 27 g
Size ³⁾ : (Diameter) x (Height)		14.2(D) x 50.0(H) mm

1) Single cell capacity under the following condition.
 Charge : 155mA×16h, Discharge : 310mA(E.V.=1.0V) at 20°C
 2) Use recommended charging system.
 3) With tube.

Typical Characteristics

Charge



Discharge

